



US010582868B1

(12) **United States Patent**
Ahmad et al.

(10) **Patent No.:** **US 10,582,868 B1**
(45) **Date of Patent:** ***Mar. 10, 2020**

(54) **LEADLESS ECG MONITORING VIA FUSION OF DSP AND ANALOG SIGNAL CONDITIONING TECHNIQUES**

(71) Applicant: **THE ACCESS TECHNOLOGIES,**
Ottawa (CA)

(72) Inventors: **Saif Ahmad,** Kanata (CA); **Atul Kumar Garg,** Kanata (CA)

(73) Assignee: **The Access Technologies,** Ottawa (CA)

(*) Notice: Subject to any disclaimer, the term of this patent is extended or adjusted under 35 U.S.C. 154(b) by 0 days.

This patent is subject to a terminal disclaimer.

(21) Appl. No.: **16/514,571**

(22) Filed: **Jul. 17, 2019**

Related U.S. Application Data

(63) Continuation-in-part of application No. 16/353,894, filed on Mar. 14, 2019, now Pat. No. 10,463,302.

(30) **Foreign Application Priority Data**

Mar. 8, 2019 (CA) 3036168

(51) **Int. Cl.**

A61B 5/0408 (2006.01)
A61B 5/00 (2006.01)
A61B 5/044 (2006.01)
A61B 5/04 (2006.01)
A61B 5/0456 (2006.01)
A61B 5/0432 (2006.01)

A61B 5/0468 (2006.01)
A61B 5/024 (2006.01)

(52) **U.S. Cl.**

CPC **A61B 5/04085** (2013.01); **A61B 5/0006** (2013.01); **A61B 5/044** (2013.01); **A61B 5/6831** (2013.01); **A61B 5/0022** (2013.01); **A61B 5/02405** (2013.01); **A61B 5/04017** (2013.01); **A61B 5/0432** (2013.01); **A61B 5/0456** (2013.01); **A61B 5/0468** (2013.01); **A61B 5/681** (2013.01); **A61B 5/6824** (2013.01); **A61B 5/725** (2013.01)

(58) **Field of Classification Search**

None
See application file for complete search history.

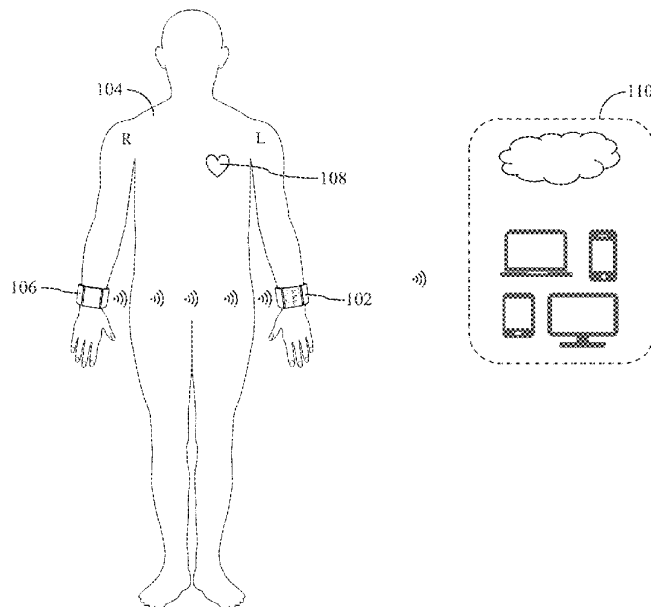
Primary Examiner — Paula J Stice

(74) *Attorney, Agent, or Firm* — MKG, LLC

(57) **ABSTRACT**

An ergonomically designed wireless wearable smart band pair for continuous ECG monitoring is disclosed. The pair comprises primary and secondary smart bands with integrated electrodes. When the smart bands are worn around the two limbs, electrodes contact the skin. The primary smart band acquires biopotential data from the first wrist while the secondary smart band simultaneously acquires biopotential data from the second wrist and sends it wirelessly to the primary smart band. The primary smart band processes biopotential data via DSP and analog signal conditioning, and fuses information to acquire high-fidelity ECG data as per Einthoven's law without need for completing a circuit via leads and/or holding auxiliary electrodes. The primary smart band analyzes ECG data in real-time, generates pertinent alarms, stores data locally, and wirelessly transmits information to external devices.

15 Claims, 11 Drawing Sheets



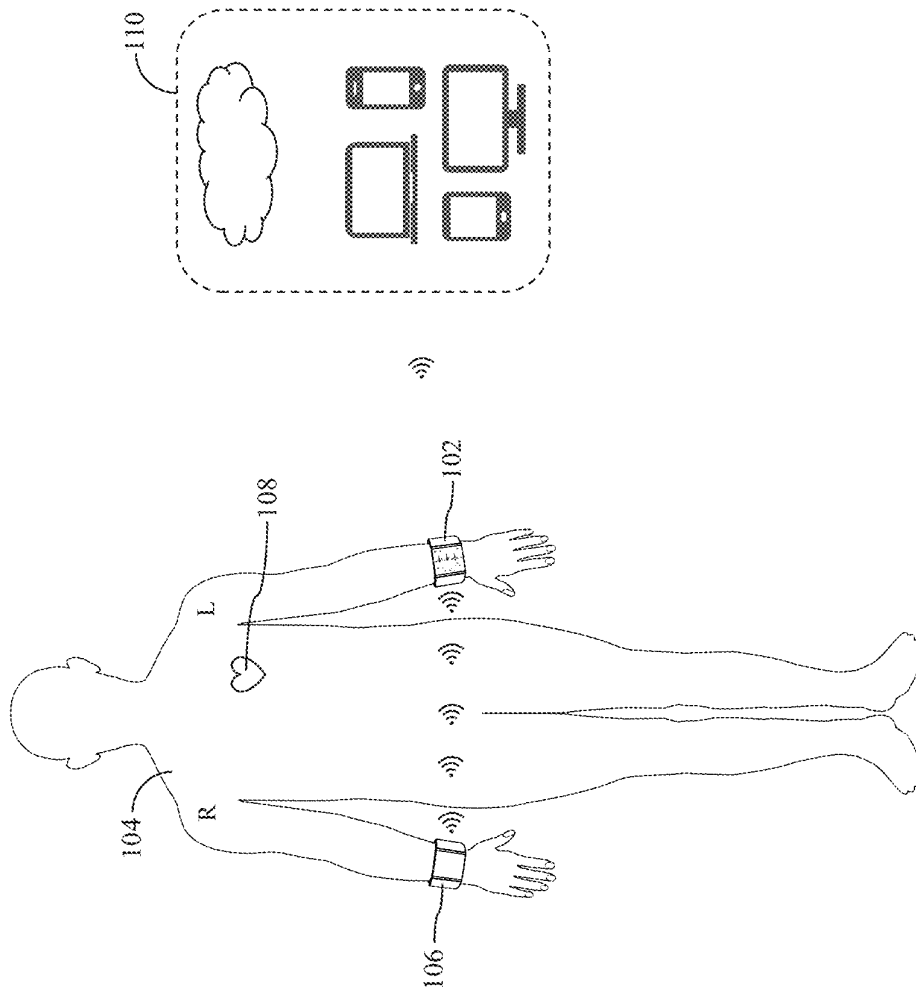


FIG. 1

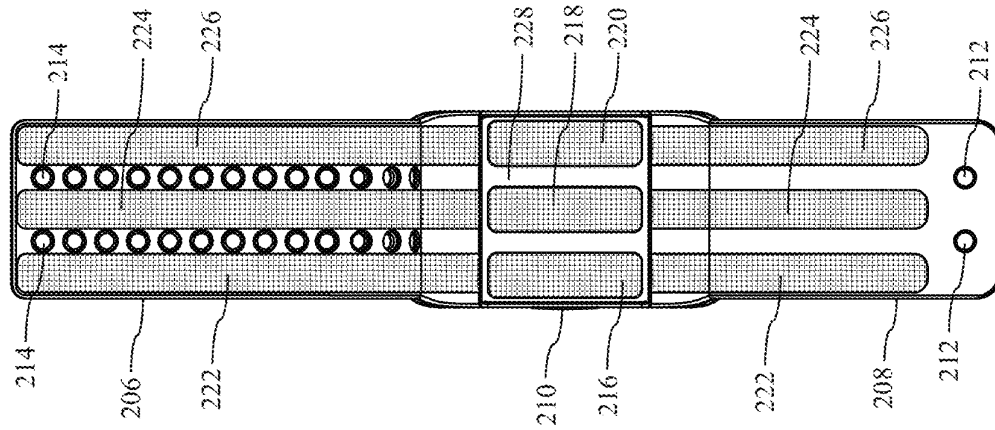


FIG. 2C

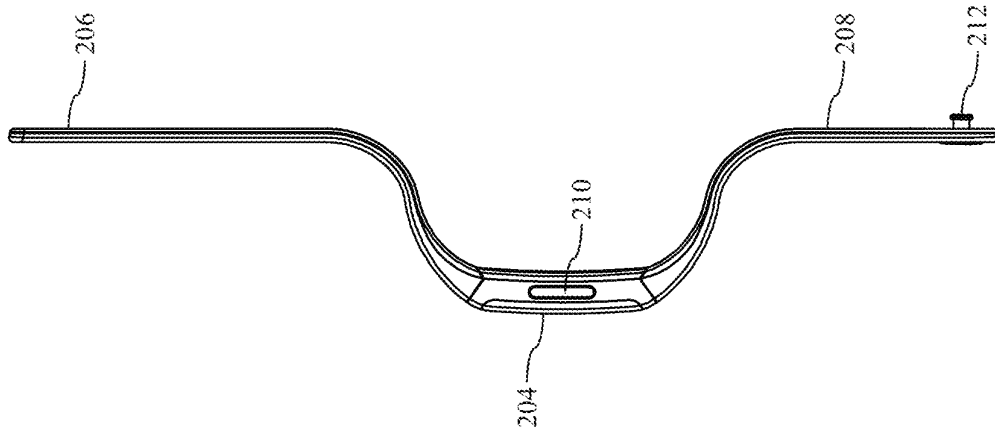


FIG. 2B

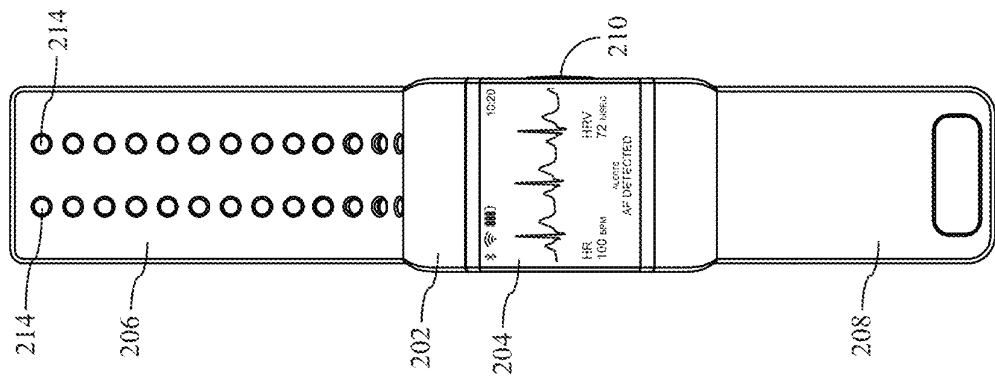
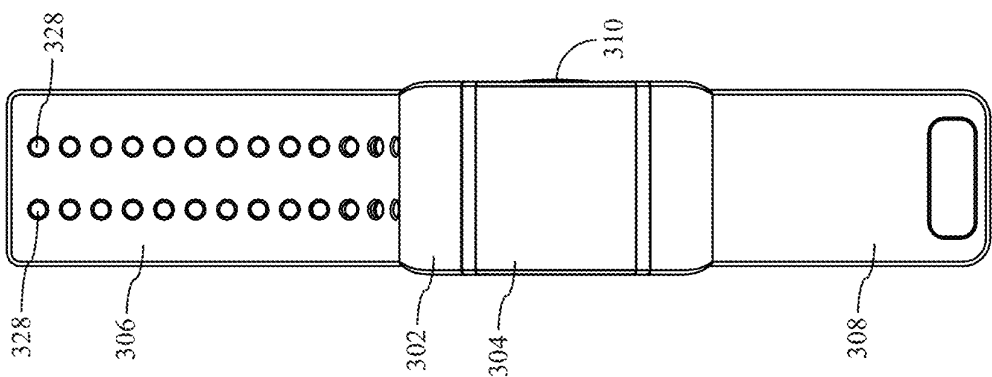
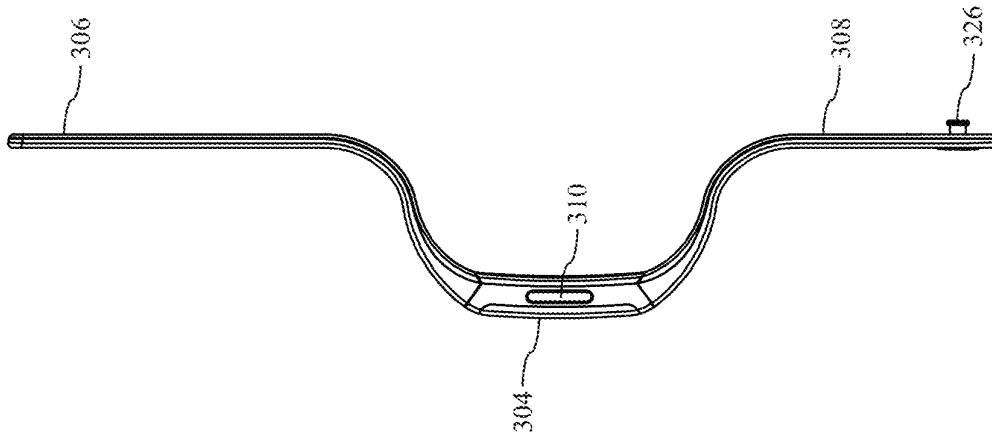
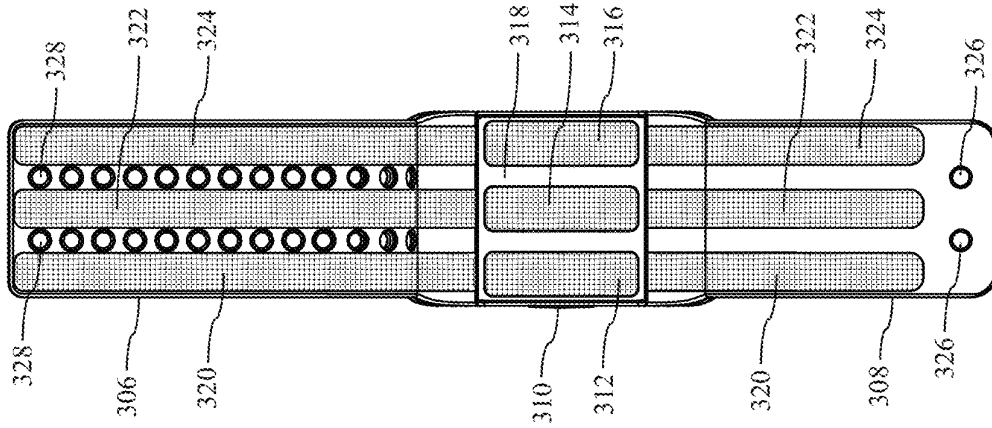


FIG. 2A



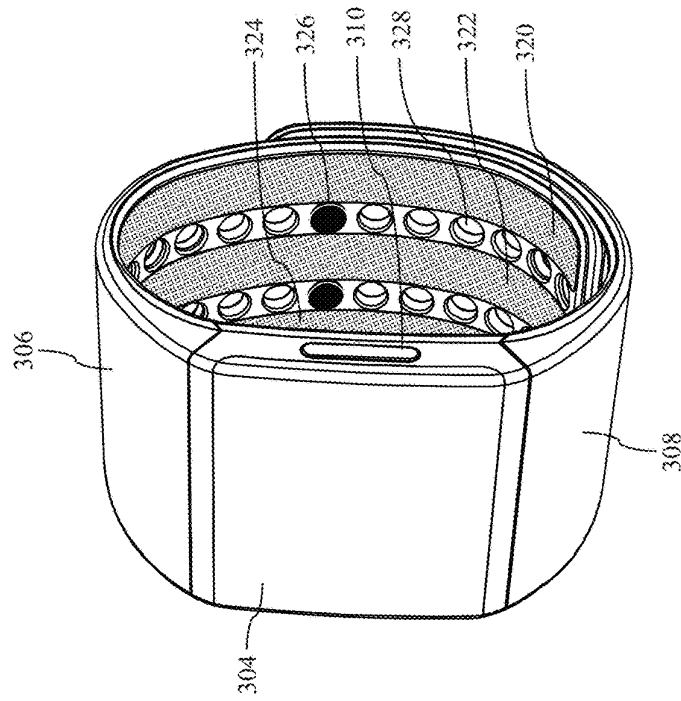


FIG. 5

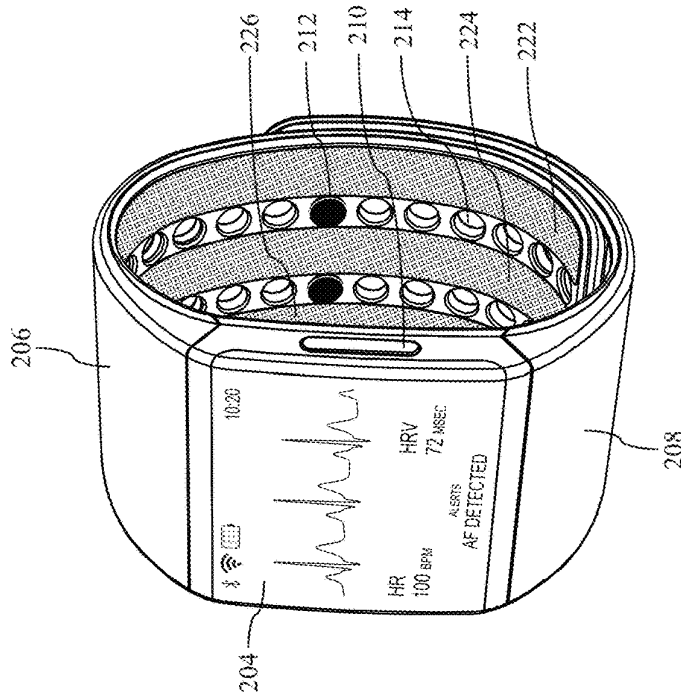


FIG. 4

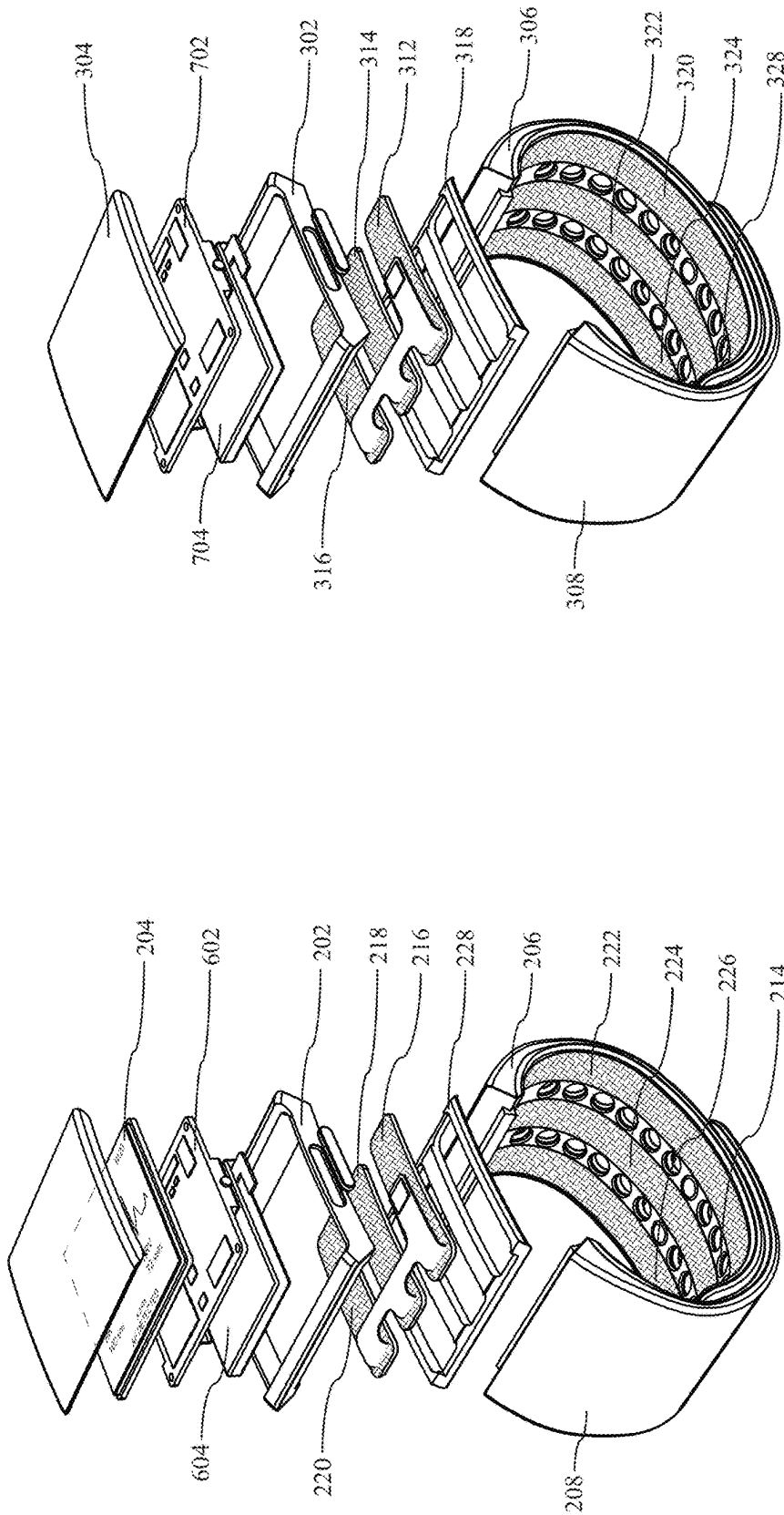


FIG. 7

FIG. 6

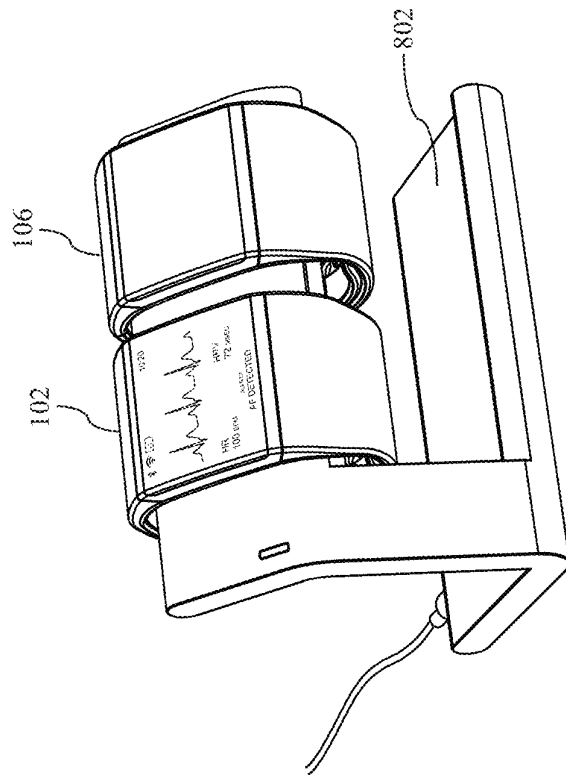


FIG. 8

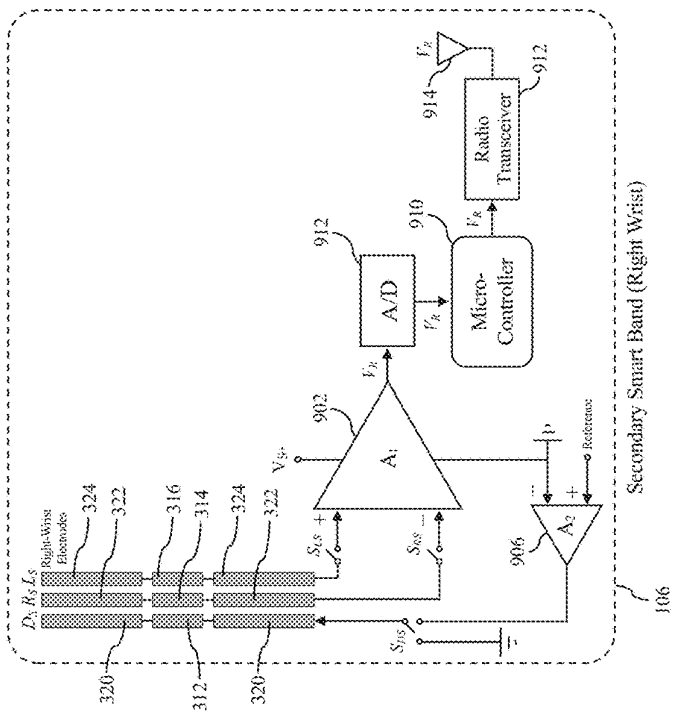
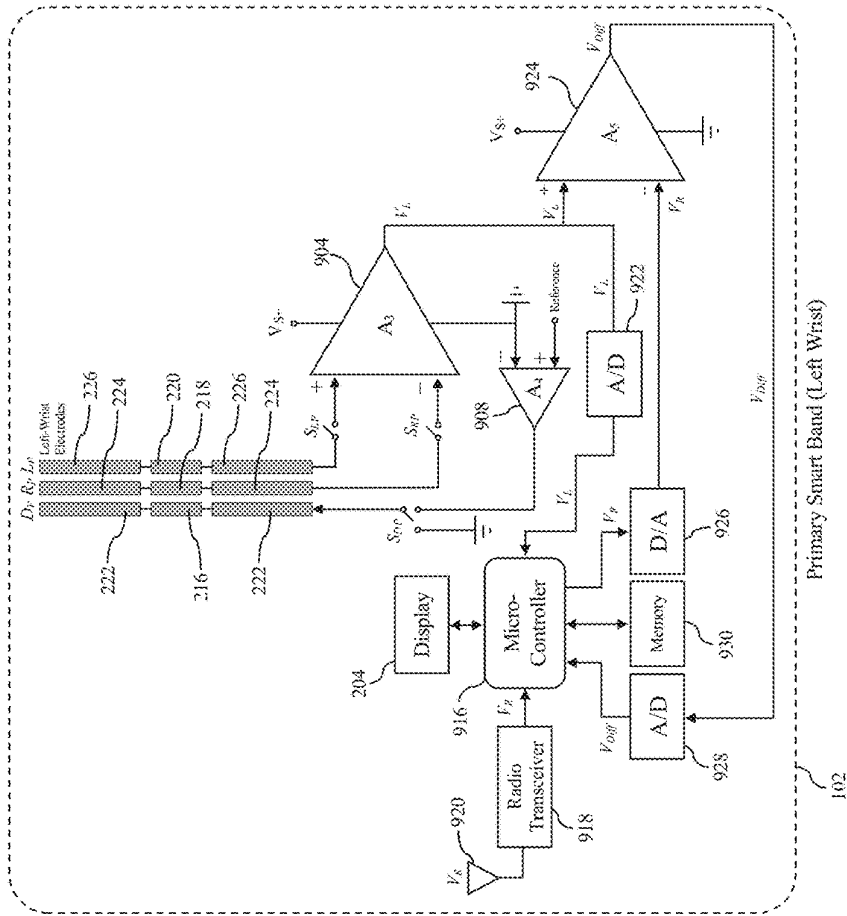


FIG. 9

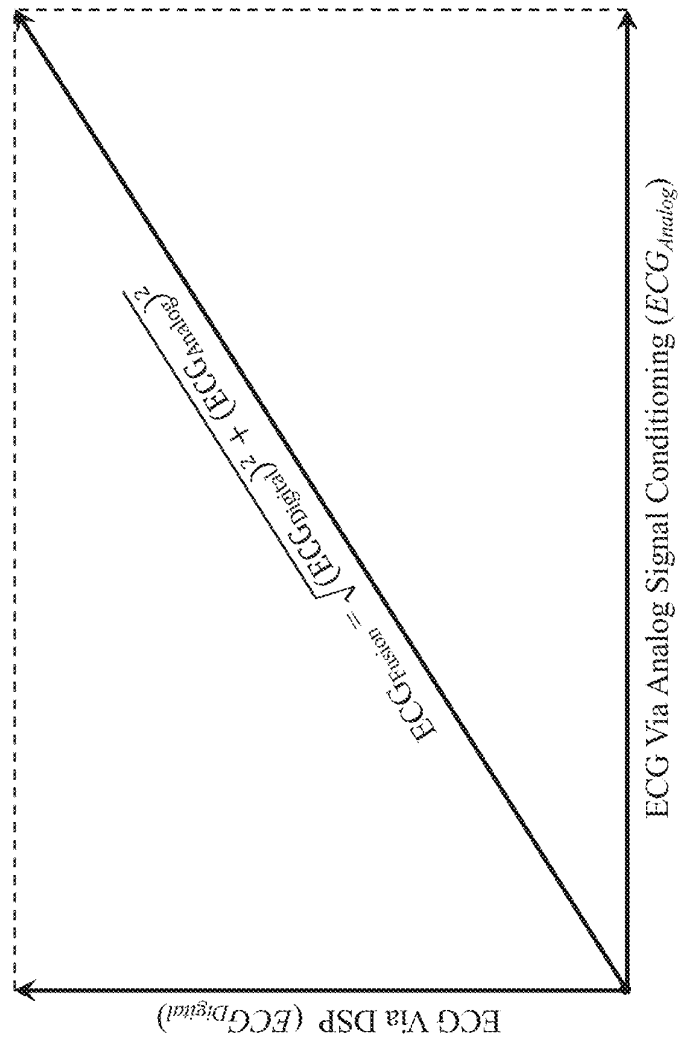


FIG. 10

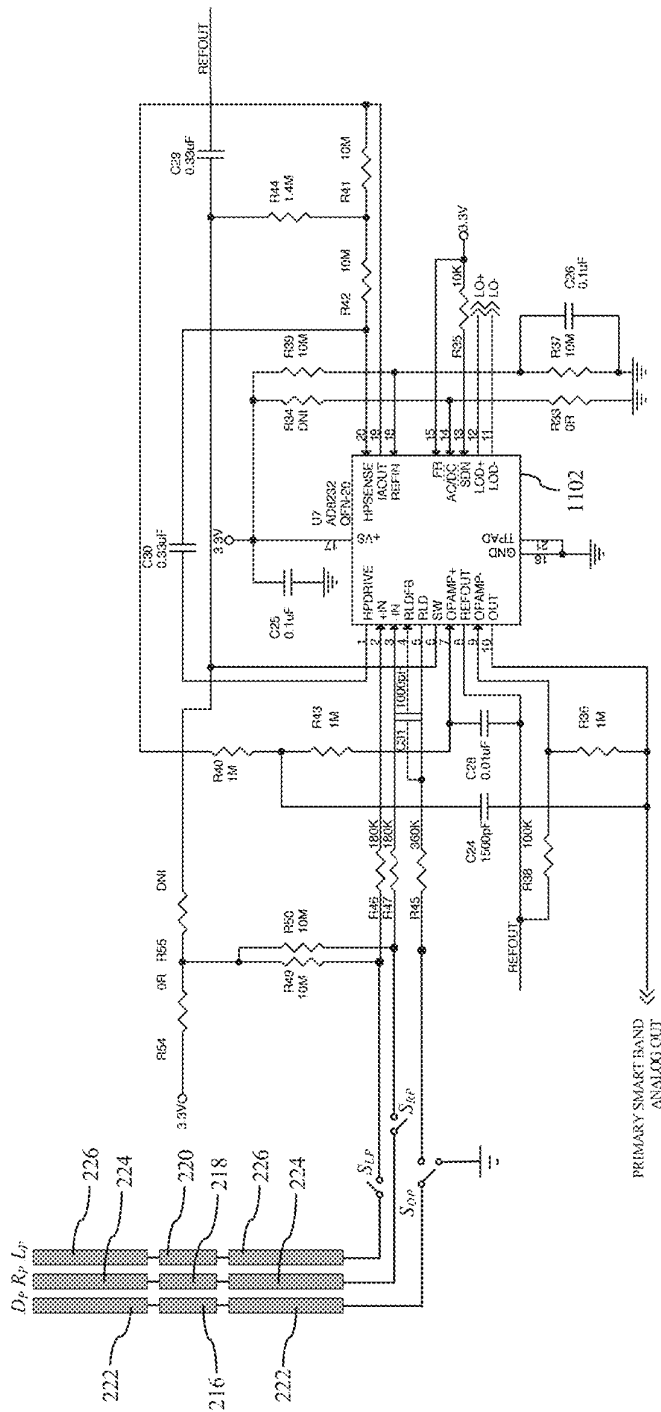


FIG. 1

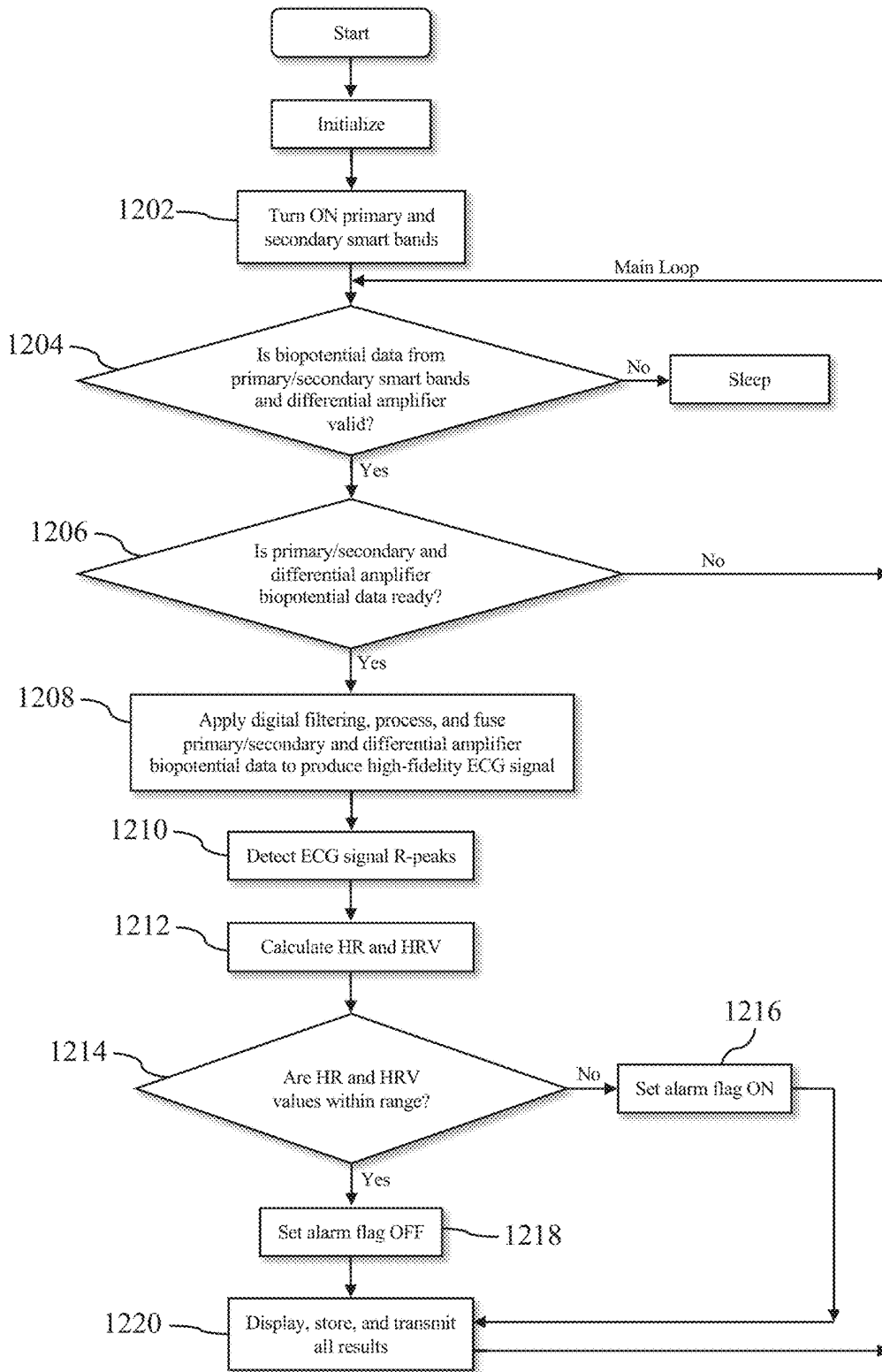


FIG. 12

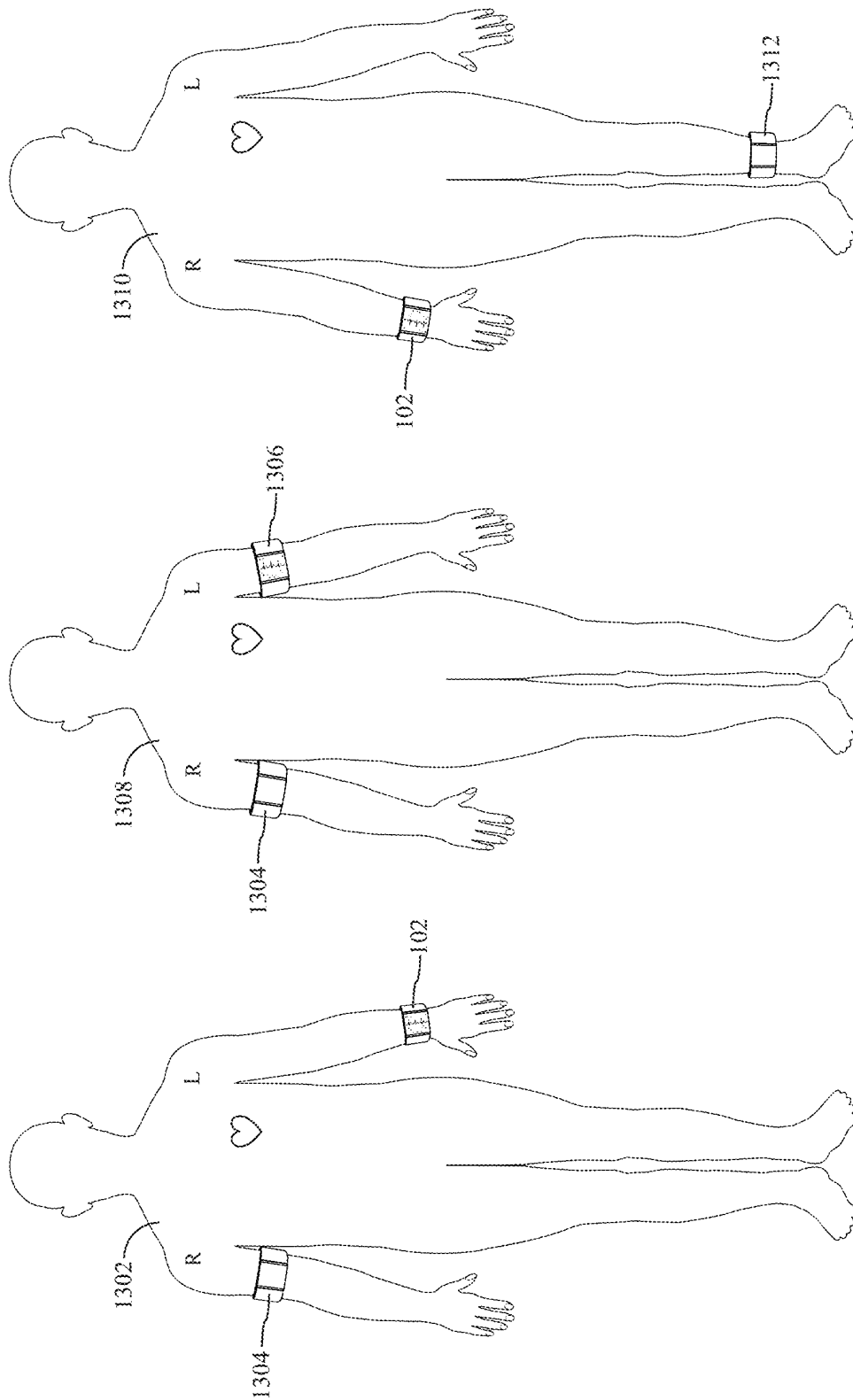


FIG. 13

LEADLESS ECG MONITORING VIA FUSION OF DSP AND ANALOG SIGNAL CONDITIONING TECHNIQUES

CROSS-REFERENCE TO RELATED APPLICATIONS

The present application is a continuation-in-part of U.S. patent application Ser. No. 16/353,894, filed on Mar. 14, 2019, and claims priority to Canadian Patent Application No. 3036168, filed on Mar. 8, 2019, the contents of each of which are incorporated herein by reference in their entireties and the benefits of each are fully claimed herein.

TECHNICAL FIELD

In general, this invention relates to electrocardiogram (ECG) monitoring in humans with wearable technology, and in particular to continuous and unobtrusive ECG monitoring utilizing a pair of ergonomically designed wireless smart bands that the user wears around the left and right wrists.

BACKGROUND

A regular ECG test is an essential diagnostic tool that characterizes the heart's activity at a given point in time. Abnormal heart rhythms and cardiac symptoms may however sporadically appear, disappear, and reappear over time. Consequently, point-in-time ECG tests may miss critical cardiac anomalies, thereby leading to an increased risk of morbidity and mortality.

It is therefore important to monitor ECG continuously in at-risk patients as they go about their normal activities. Quite often, serious heart conditions like atrial fibrillation (AF), cardiomyopathy, and coronary heart disease are diagnosed with continuous ECG monitoring. This allows for timely clinical interventions like medication and cardiac surgery that reduce adverse outcomes like stroke and heart attack, thereby saving lives.

In clinical practice, it is common to undertake continuous ECG monitoring using a Holter system that can generally record 24-48 hours of cardiac data. The Holter is a small wearable biopotential measurement device comprising several ECG leads. These ECG leads are snapped on to sticky gel electrodes that are attached at various locations on the patient's chest. A Holter monitoring system is inconvenient and obtrusive due to the sticky gel chest electrodes that often cause discomfort and the unwieldy leads that hang between the electrodes and the Holter unit.

Recently, Medtronic has developed and marketed a leadless Holter system (SEEQ™) in the form of an adhesive chest strip (~4.5" long, ~2.0" wide, and ~0.6" thick) for continuous ECG monitoring. Though leadless, this monitor is awkward and uncomfortable because it uses sticky chest electrodes and it is too bulky to be attached to the chest.

Various kinds of belts that can be worn around the chest for continuous ECG monitoring are available in the market today. Many of these ECG chest belt systems are leadless and employ dry reusable electrodes. Still, these ECG belts need to be worn under clothing and are often quite tight around the chest, causing difficulty and uneasiness to the wearer.

Currently, continuous ECG monitoring technology comes with a number of problems and encumbrances. These include discomfort, uneasiness, sleep disruptions, difficulty

in carrying out day-to-day activities, and inability to undertake long-term monitoring (for example, monitoring for days, months, and years).

With the advent of newer generation wearables like smartwatches, attempts have been made to integrate ECG monitoring into a smartwatch. For example, Apple has provided dry ECG electrodes on the backplate of a smartwatch (left-side electrodes) and a second set of electrodes on the smartwatch rim (right-side electrodes). A user has to wear the smartwatch on one wrist so that the electrodes underneath touch the wrist. Additionally, the user has to touch the second set of electrodes on the smartwatch rim with his/her other hand so that the heart lies in-between the left-side (backplate) and right-side (rim) electrodes that are electrically connected to signal amplification/conditioning circuitry inside the smartwatch. The quality of ECG data acquired in this manner is generally satisfactory. However, the main limitation is that the user has to touch and hold a second set of electrodes on the smartwatch with his/her other hand for monitoring ECG data. As a result, this system only provides an on demand 30 seconds of ECG monitoring, and not continuous and/or long-term ECG monitoring.

To avoid touching a second set of electrodes with the other hand and to accomplish leadless continuous ECG monitoring, attempts have been made to develop wearable single upper limb ECG systems.

Prior art has proposed the use of single arm wearable devices for leadless ECG monitoring. These systems comprise an upper arm band with more than one electrode on the underside that come in contact with the arm when the band is worn. The electrodes are interfaced with an amplification and control unit that may be affixed to the outer surface of the band. Single arm ECG systems have produced mixed results for a diverse population. The ECG signal acquired by these systems is often noisy, unreliable, and unusable, more so for women and older people.

Based on the principles of single arm ECG systems, other prior art has also proposed leadless ECG monitoring employing wearable single wrist systems. The quality and fidelity of data acquired by single wrist ECG systems has not been properly tested and/or verified. Intuitively, a single wrist ECG system will produce noisier and weaker signals as compared to a single arm ECG system. This is because the wrist is physically farther away from the heart as compared to the upper arm, thus resulting in greater impedance to the flow of electrical charge from the heart to the wrist electrodes.

SUMMARY

In one aspect of the present invention there is disclosed a wearable device related to ECG monitoring technology. The wearable device comprises a pair of ergonomically designed wireless smart bands that are worn around the left and right wrists for unobtrusive continuous leadless ECG data monitoring and analysis. Both smart bands in the described pair are provided with dry reusable ECG electrodes on their underside. The electrodes in each smart band are interfaced with biopotential measurement hardware and software inside that smart band. Moreover, the hardware and software inside the two smart bands enables seamless wireless communication between them. When the two smart bands are worn on both hands, their respective electrodes come in contact with the left and right side of the body. With this configuration, the two smart bands independently and simultaneously measure biopotential on the left and right side of the body and wirelessly share/process this information to

acquire/analyze high-fidelity ECG data. Thus, the wireless smart band pair accomplishes ECG data monitoring and analysis as per Einthoven's law without the need for physically completing a circuit via leads and/or touching and holding auxiliary electrodes.

The two smart bands in the described pair are alluded to as a primary smart band and a secondary smart band. Both the primary and secondary smart bands preferably comprise electrodes, ECG amplification/conditioning circuitry, a microcontroller, a wireless transceiver, and a rechargeable battery. The primary smart band can be additionally provided with memory and a touchscreen display. Both the primary and secondary smart bands preferably have wireless charging capabilities and can be charged on a twin wireless charging unit.

In one embodiment, both primary and secondary smart bands are provided with three ECG strip electrodes on their underside to maximize the electrode surface area and enhance connectivity around the wrist to obtain high-quality ECG signal. Each of the three strip electrodes can be arranged to have a rigid section on the smart band backplate and a flexible section along the underside of the smart band straps. In one example, the rigid electrodes are made of silver while the flexible electrodes are made of conductive fabric.

In one example, in both smart bands, the first strip is a right-side electrode and the second strip is a left-side electrode connected to a biopotential amplifier while the third strip is a reference electrode. In another example, in both smart bands, the right-side and left-side strip electrodes remain unchanged while the third strip or the reference electrode is a ground electrode. In yet another example, in both smart bands, the right-side and left-side strip electrodes remain unchanged while the third strip or the reference electrode is a right leg drive (RLD) electrode to reduce common mode noise and augment ECG signal quality. Finally, in another example, in both smart bands, the right-side and left-side strip electrodes remain unchanged while the third strip or reference electrode in the secondary smart band is a ground electrode and the third strip or reference electrode in the primary smart band is an RLD electrode for enhancing ECG data quality.

In one example, the primary smart band is worn around the left wrist while the secondary smart band is worn around the right wrist. With this setup, the primary smart band acquires biopotential data from the left side of the body. Simultaneously, the secondary smart band acquires biopotential data from the right side of the body and transmits this information wirelessly to the primary smart band. Biopotential information from the left and right side of the body is processed and combined inside the primary smart band using a variety of methods to acquire high-fidelity ECG signal.

In one embodiment, inside each smart band, a digital switch is provided between each of the three strip electrodes and the associated signal amplification/conditioning circuitry, resulting in three digital electrode switches inside each smart band. In another embodiment, the digital switch of the third strip or reference electrode in each smart band is a changeover switch that is used to convert the reference electrode into either a ground or RLD electrode. In one example, all digital switches inside the two smart bands are controlled by the respective microcontrollers inside the smart bands. These electrode switches allow various electrode configurations to be evaluated and used for enhancing ECG data quality. This feature is useful for device testing and calibration whereby an optimum electrode configuration

that results in best ECG signal quality can be readily determined and employed. In an example configuration, all three electrodes, namely, right, left, and RLD of the primary smart band are enabled while only right and left electrodes of the secondary smart band are enabled.

In one example, the biopotential data from both smart bands is sent directly to the microcontroller inside the primary smart band whereby various digital signal processing (DSP) techniques are employed to obtain an ECG signal. In another example, the biopotential data from both smart bands is first sent to a differential amplifier for analog signal amplification and conditioning, and then to the microcontroller inside the primary smart band for processing and obtaining an ECG signal. In yet another example, the ECG information obtained via the DSP and analog signal amplification/conditioning techniques is fused by the microcontroller inside the primary smart band to obtain an ECG signal of even higher quality and fidelity.

In a further aspect, the microcontroller inside the primary smart band analyzes acquired ECG data in real-time to compute parameters like heart rate (HR) and heart rate variability (HRV) and to generate alerts when these parameters are out of range. For example, if HRV is above a given threshold, an AF alert is generated. The primary smart band displays real-time ECG waveform data along with metrics like HR and HRV and any alerts that are generated. The onboard memory in the primary smart band stores all ECG-related information. The primary smart band can also have the functionality to send all acquired ECG data and related information wirelessly to a smartphone, personal computer (PC), tablet, or directly to a cloud server where it can be further processed/analyzed.

Though this invention is described as related to a pair of wearable smart bands that are attached to a user's left and right wrists, the underlying design and principle of the invention can be extended to a pair of wearables that can be attached at any location along the two upper limbs and/or even the two lower limbs. One example comprises a primary smart band worn around the wrist and a secondary smart band worn around the upper arm of the other hand. Another example comprises both primary and secondary smart bands worn around the two upper arms. Yet another example comprises a primary smart band worn around the wrist and a secondary smart band worn around the ankle of the other leg. It will be appreciated that the smart band could be a smartwatch or any other similar wearable.

This invention fulfills the theoretical underpinnings of electrocardiography and Einthoven's law such that biopotential is measured on the left and right sides of the body with the heart in-between utilizing a pair of wirelessly synced wearables (for example, smart bands, smartwatches, and/or any combination thereof) that process all information to acquire high-fidelity single-lead ECG waveform data.

In accordance with one aspect, there is provided an electrocardiogram monitor comprising: a primary smart band having at least three electrodes configured to be either RLD-left-right or ground-left-right electrodes that are configured to contact skin of a user and measure a first high-fidelity biopotential signal; a secondary smart band having at least three electrodes configured to be either RLD-left-right or ground-left-right electrodes that are configured to contact the skin of the user and measure a second high-fidelity biopotential signal; wherein the secondary smart band comprises a second microcontroller that digitizes the second high-fidelity biopotential signal to produce a second digitized signal and transmits the second digitized signal wirelessly to the primary smart band; wherein the primary smart

band comprises a first microcontroller that wirelessly receives the second digitized signal from the secondary smart band, and also digitizes the first high-fidelity biopotential signal to produce a first digitized signal; wherein the first microcontroller employs DSP techniques on the first and second digitized signals to produce a first high-fidelity ECG waveform signal; wherein the primary smart band further comprises a D/A module to convert the second digitized signal to an analog signal; and a differential amplifier which receives as inputs the analog signal from the D/A module and the first high-fidelity biopotential signal and outputs a second high-fidelity ECG waveform signal via analog signal conditioning and amplification; wherein the first microcontroller digitizes the second high-fidelity ECG waveform signal and employs data fusion techniques to combine the first and second high-fidelity ECG waveform signals to produce a higher quality and fidelity ECG waveform signal.

BRIEF DESCRIPTION OF THE DRAWINGS

FIG. 1 illustrates an exemplary attachment of the wireless smart band pair on a user for continuous leadless ECG monitoring along with external devices to which data is wirelessly transmitted.

FIGS. 2A-2C illustrate the front, side, and back of the primary smart band showing the touchscreen display along with the rigid/flexible strip electrodes and claspings studs/holes.

FIGS. 3A-3C illustrate the front, side, and back of the secondary smart band showing the front cover along with the rigid/flexible strip electrodes and claspings studs/holes.

FIG. 4 illustrates an alternate view of the primary smart band showing the touchscreen display along with the straps, claspings mechanism, and flexible strip electrodes.

FIG. 5 illustrates an alternate view of the secondary smart band showing the front cover along with the straps, claspings mechanism, and flexible strip electrodes.

FIG. 6 illustrates an exploded view of the primary smart band showing the key components.

FIG. 7 illustrates an exploded view of the secondary smart band showing the key components.

FIG. 8 illustrates the smart band pair being charged on a twin wireless charging unit.

FIG. 9 illustrates an example operational diagram of the smart band pair.

FIG. 10 illustrates fusion of two complementary techniques, namely, DSP and analog signal conditioning to obtain a high-fidelity ECG signal.

FIG. 11 illustrates an example circuit diagram of a biopotential amplifier with a ground/RLD strip electrode implemented using Analog Devices AD8232 chip.

FIG. 12 illustrates a flowchart depicting one example method of continuous high-fidelity ECG monitoring and HR/HRV analysis via fusion of two complementary techniques, namely, DSP and analog signal conditioning.

FIG. 13 illustrates examples of various locations on the human body where wearables employing the underlying design and principle of the current invention can be attached to undertake continuous leadless ECG monitoring.

DETAILED DESCRIPTION

A preferred embodiment of the present invention will be set forth in detail with reference to the drawings, in which like reference numerals refer to like elements or method steps throughout.

FIG. 1 illustrates an exemplary attachment of the wireless smart band pair on a user for continuous leadless ECG monitoring along with external devices to which data is wirelessly transmitted. In this example, the primary smart band **102** is worn by the user **104** around the left wrist whereas the secondary smart band **106** is worn around the right wrist. The heart **108** is shown inside the chest cavity positioned slightly towards the left. The secondary smart band **106** worn around the right wrist measures the right-side biopotential by virtue of the electrodes provided on its underside (not shown) and sends this information wirelessly to the primary smart band **102** worn around the left wrist. Simultaneously, the primary smart band **102** worn around the left wrist measures the left-side biopotential by virtue of the electrodes provided on its underside (not shown) and combines/processes this information with the wirelessly received right-side biopotential information to acquire high-fidelity ECG waveform data. The primary smart band **102** analyzes the acquired ECG data, stores all information locally, and also transmits this information wirelessly to remote devices **110** like smartphones, laptops, tablets, and cloud databases for storage and further analysis. The primary **102** and secondary **106** smart bands can also be swapped between the two hands to acquire ECG data in a manner similar to the one described above. That is, the primary smart band **102** can be also worn around the right wrist and the secondary smart band **106** can also be worn around the left wrist for continuous leadless ECG monitoring as outlined in the invention.

FIGS. 2A-2C illustrate one embodiment of the front, side, and back of the primary smart band showing the touchscreen display along with the rigid/flexible strip electrodes and claspings studs/holes. The primary smart band comprises an enclosure **202** made of stainless steel, a touchscreen display **204**, upper **206** and lower **208** straps made of flexible rubber, and an on/off button **210**. Studs **212** made of hard rubber and corresponding holes **214** are provided on the primary smart band straps for claspings it snugly around the wrist. It will be appreciated that while two sets of studs **212** and holes **214** are shown, a single set, multiple sets or other arrangements could be used instead. It will also be appreciated that the display **204** could be a plain display that is not a touchscreen.

Three rigid strip electrodes **216**, **218**, **220** and three flexible strip electrodes **222**, **224**, **226** are provided on the underside of the primary smart band. The three rigid strip electrodes **216**, **218**, **220** are embedded in the primary smart band backplate **228** that is made of plastic. The three flexible strip electrodes **222**, **224**, **226** are embedded in the upper **206** and lower **208** straps of the smart band. Each of the three rigid **216**, **218**, **220** and flexible **222**, **224**, **226** strip electrodes are electrically connected inside the primary smart band. That is rigid strip electrode **216** is connected to flexible strip electrode **222**, rigid strip electrode **218** is connected to flexible strip electrode **224**, and rigid strip electrode **220** is connected to flexible strip electrode **226**. In one example, the rigid strip electrodes **216**, **218**, **220** are made of silver while the flexible strip electrodes **222**, **224**, **226** are made of silver foil. In another example, the rigid strip electrodes **216**, **218**, **220** are made of chrome-plated steel while the flexible strip electrodes **222**, **224**, **226** are made of conductive fabric. A variety of conductive materials can be used to fabricate the rigid and flexible strip electrodes described in this invention.

In one example, the approximate dimensions of the primary smart band enclosure **202** are 43.0 mm (length)×42.0 mm (width)×9.5 mm (height). The width of the straps **206**, **208** is approximately 41.0 mm and closely matches the length of the smart band enclosure **202**. The approximate

width of the rigid **216**, **218**, **220** and flexible **222**, **224**, **226** strip electrodes is 8.5 mm and the approximate separation between them is 5.5 mm. In this example, the 5.5 mm gap between the flexible strip electrodes **222**, **224**, **226** conveniently allows for the primary smart band clasping studs **212** and holes **214** to be provided within this gap. The approximate weight of such a primary smart band is 40 g.

FIGS. 3A-3C illustrate one embodiment of the front, side, and back of the secondary smart band showing the front cover along with the rigid/flexible strip electrodes and clasping studs/holes. The design, footprint, materials, dimensions, weight, and fabrication of the secondary smart band is similar to that of the primary smart band. The only difference is that the secondary smart band does not have a display. In this example, the secondary smart band comprises an enclosure **302** made of stainless steel, a plastic front cover **304**, upper **306** and lower **308** straps made of flexible rubber, and an on/off button **310**. It also comprises three rigid strip electrodes **312**, **314**, **316** embedded in a plastic backplate **318** and three flexible strip electrodes **320**, **322**, **324** embedded in the upper **306** and lower **308** straps. Studs **326** made of hard rubber and holes **328** are provided on the secondary smart band straps for clasping it snugly around the wrist. It will be appreciated that while two sets of studs **212** and holes **214** are shown, a single set, multiple sets or other arrangements could be used instead.

There are several advantages of the disclosed rigid and flexible strip electrodes over isolated and/or small footprint electrodes proposed in prior art. First, the surface area of each electrode is maximized to improve overall connectivity around the wrist. Second, since each electrode touches the skin all around the wrist, its reliability of coming in contact with the skin at all times (for example, during sleep) is significantly higher. Finally, by forming a connection all around the wrist, the dependence of each electrode's performance on its physical position around the wrist is minimized. Therefore, the smart band pair described in this invention, by virtue of its rigid and flexible strip electrodes, is able to acquire good quality ECG data with a high degree of accuracy.

FIG. 4 illustrates an alternate view of the primary smart band showing the touchscreen display along with the straps, clasping mechanism, and flexible strip electrodes. The profile shape of the primary smart band straps **206**, **208** is curved, and they provide a snug fit around the wrist using the stud **212** and hole **214** clasping mechanism. When worn around the wrist, the rigid strip electrodes (not shown) and the flexible strip electrodes **222**, **224**, **226** embedded in the straps **206**, **208** make contact with the skin all around the wrist. The primary smart band is switched on by activating the on/off button **210**. The touchscreen display **204** helps in visualizing ECG data and its analysis in real-time. In one example, the touchscreen display **204** displays real-time ECG waveform data along with HR/HRV metrics and pertinent alarms when these metrics are out of range. In another example, the user can interact with the touchscreen display **204** to perform tasks like reviewing historic ECG data and/or sending a distress signal to other connected users/devices.

FIG. 5 illustrates an alternate view of the secondary smart band showing the front cover along with the straps, clasping mechanism, and flexible strip electrodes. The profile shape of the secondary smart band straps **306**, **308** is curved, and they provide a snug fit around the wrist using the stud **326** and hole **328** clasping mechanism. When worn around the wrist, the rigid strip electrodes (not shown) and the flexible strip electrodes **320**, **322**, **324** embedded in the straps **306**,

308 make contact with the skin all around the wrist. The secondary smart band is switched on by activating the on/off button **310**. In place of a touchscreen display, in this embodiment the secondary smart band is provided with a plastic front cover **304**.

FIG. 6 illustrates an exploded view of the primary smart band showing the key components in one embodiment. These include a touchscreen display **204**, printed circuit board **602** containing all related hardware and running the desired software, enclosure **202**, rechargeable battery **604**, backplate **228** with embedded rigid strip electrodes **216**, **218**, **220** and straps **206**, **208** with flexible strip electrodes **222**, **224**, **226** and clasping holes **214**.

FIG. 7 illustrates an exploded view of the secondary smart band showing the key components in one embodiment. These include a plastic front cover **304**, printed circuit board **702** containing all related hardware and running the desired software, enclosure **302**, rechargeable battery **704**, backplate **318** with embedded rigid strip electrodes **312**, **314**, **316** and straps **306**, **308** with flexible strip electrodes **320**, **322**, **324** and clasping holes **328**.

In one example, desired components of the primary (FIG. 6) and secondary (FIG. 7) smart bands are provided with clipping mechanisms enabling them to be snap fitted.

FIG. 8 illustrates the smart band pair being charged on a twin wireless charging unit. Both primary **102** and secondary **106** smart bands are provided with rechargeable batteries **604**, **704** and wireless charging hardware/software. The smart band pair **102**, **106** can therefore be charged on a twin wireless charging unit **802**. It will be appreciated that other charging arrangements, including wired, could also be used.

FIG. 9 illustrates an example operational diagram of the smart band pair. Here, the reference electrode in each smart band is either a ground or RLD. Biopotential data from both smart bands is sent directly and also via a differential amplifier to the primary smart band's microcontroller for processing. In this example, the secondary smart band **106** is attached to a user's right wrist while the primary smart band **102** is attached to the user's left wrist.

In FIG. 9, in the secondary smart band **106**, the three rigid strip electrodes **312**, **314**, **316** and the three flexible strip electrodes **320**, **322**, **324** are electrically connected. Similarly, in the primary smart band **102**, the three rigid strip electrodes **216**, **218**, **220** and the three flexible strip electrodes **222**, **224**, **226** are electrically connected.

Referring to FIG. 9, the secondary smart band **106** comprises three strip electrodes namely ground or RLD **312**, **320**, right **314**, **322**, and left **316**, **324** electrodes that are connected to biopotential amplification and conditioning circuitry **902** via three digital switches S_{DS} , S_{RS} , S_{LS} . Similarly, the primary smart band **102** comprises three strip electrodes namely ground or RLD **216**, **222**, right **218**, **224**, and left **220**, **226** electrodes that are connected to biopotential amplification and conditioning circuitry **904** via three digital switches S_{DP} , S_{RP} , S_{LP} . The secondary smart band switches S_{DS} , S_{RS} , S_{LS} are controlled by the secondary smart band microcontroller **910** while the primary smart band switches S_{DP} , S_{RP} , S_{LP} are controlled by the primary smart band microcontroller **916**.

In FIG. 9, S_{DP} in the primary smart band **102** and S_{DS} in the secondary smart band **106** are changeover switches with two binary states, namely, 0 and 1. In state 0, they convert their respective electrodes to ground electrodes via ground-whereas in state 1, they convert their respective electrodes to RLD electrodes via the amplifiers **906** and **908**. This allows for various combinations of ground and RLD

electrodes to be readily used in the primary and secondary smart bands to reduce noise and enhance ECG signal quality.

Referring to FIG. 9, switches S_{RP} and S_{LP} are provided for primary smart band strip electrodes **218**, **224**, **220**, **226** and switches S_{RS} and S_{LS} are provided for secondary smart band strip electrodes **314**, **322**, **316**, **324**. Again, these switches have two binary states, namely, 0 and 1. A state 0 will remove these electrodes from the ECG monitoring circuit whereas a state 1 will connect these electrodes to the ECG monitoring circuit. This allows for different electrode configurations and connections to be used for each smart band to minimize signal-to-noise ratio (SNR), thus further enhancing ECG signal quality.

In one example, if states of S_{DS} , S_{LS} , S_{RS} , S_{DP} , S_{LP} , and S_{RP} are 1, then secondary and primary smart band strip electrodes **314**, **322**, **316**, **324**, **218**, **224**, **220**, and **226** will be involved in ECG data monitoring wherein the reference electrodes **312**, **320**, **216**, and **222** will act as RLD electrodes. In another example, if states of S_{DS} , S_{LS} , and S_{RP} are 0 while states of S_{RS} , S_{DP} , and S_{LP} are 1, then secondary and primary smart band strip electrodes **314**, **322**, **220**, and **226** will be involved in ECG data monitoring wherein the reference electrodes **312**, **320** will act as ground electrodes and reference electrodes **216**, **222** will act as RLD electrodes. In addition to reducing noise, the switching feature is also very useful for device testing and calibration whereby related hardware/software can be fine-tuned to obtain optimum signal quality.

As shown in FIG. 9, the right-side biopotential signal (V_R) measured by the secondary smart band electrodes **312**, **320**, **314**, **322**, **316**, and **324** is acquired by the microcontroller **910** via an analog-to-digital (A/D) converter **912**. Using the radio transceiver **912** and antenna **914**, the microcontroller **910** wirelessly sends the right-side biopotential signal (V_R) to the primary smart band **102** attached to the user's left wrist. The primary smart band microcontroller **916** wirelessly receives the right-side biopotential signal (V_R) via its radio transceiver **918** and antenna **920**. At the same time, the left-side biopotential signal (V_L) measured by the primary smart band electrodes **216**, **222**, **218**, **224**, **220**, **226** is also acquired by the primary smart band microcontroller **916** via an A/D converter **922**. Additionally, the left-side biopotential signal (V_L) is fed to the first terminal of a differential amplifier **924** inside the primary smart band **102**. Moreover, the right-side biopotential signal (V_R) from the primary smart band microcontroller **916** is fed via a D/A converter **926** to the second terminal of the differential amplifier **924**. The differential amplifier **924** output (V_{Diff}) is then acquired by the primary smart band microcontroller **916** via the A/D converter **928**.

In reference with FIG. 9, the primary smart band microcontroller **916** employs various DSP techniques on the biopotential signals V_R and V_L to produce a high-fidelity ECG signal. In one example, a single-lead ECG signal ($ECG_{Digital}$) is synthesized by the primary smart band microcontroller **916** by computing the difference between the biopotential signals V_R and V_L as per equation 1:

$$ECG_{Digital} = (V_L - V_R) \quad (1)$$

In another example, a single-lead ECG signal ($ECG_{Digital}$) is synthesized by the primary smart band microcontroller **916** by computing the weighted mean of the biopotential signals V_R and V_L using respective weights W_R and W_L as per equation 2:

$$ECG_{Digital} = \frac{(W_L V_L + W_R V_R)}{(W_L + W_R)} \quad (2)$$

In yet another example, a single-lead ECG signal ($ECG_{Digital}$) is synthesized by the primary smart band microcontroller **916** by computing a convolution between the biopotential signals V_R and V_L as per equation 3, whereby n is the number of samples in the V_R and V_L arrays:

$$ECG_{Digital}[n] = V_R[n] * V_L[n] = \sum_{k=-\infty}^{\infty} V_R[k] \cdot V_L[n-k] \quad (3)$$

As per FIG. 9, the primary smart band microcontroller **916** also receives the signal V_{Diff} , which is the result of the analog signal amplification and conditioning of V_R and V_L via the differential amplifier **924**. Therefore, the high-fidelity analog ECG signal (ECG_{Analog}), can be defined via equation 4 as follows:

$$ECG_{Analog} = V_{Diff} \quad (4)$$

$ECG_{Digital}$ (equations (1)-(3) and FIG. 9) and ECG_{Analog} (equation (4) and FIG. 9) represent high-fidelity ECG signals that are obtained via two very distinct and complementary techniques—DSP and analog signal conditioning respectively.

In one example, the primary smart band microcontroller **916** (FIG. 9) combines and fuses the $ECG_{Digital}$ and ECG_{Analog} signals to further suppress noise and obtain an even higher quality and fidelity signal, namely, ECG_{Fusion} .

The concept of fusion of complementary ECG signals ($ECG_{Digital}$ and ECG_{Analog}) to obtain a higher fidelity ECG signal (ECG_{Fusion}) can be explained via FIG. 10 and represented by equation 5:

$$ECG_{Fusion} = \sqrt{(ECG_{Digital})^2 + (ECG_{Analog})^2} \quad (5)$$

There are several other ways by which ECG_{Fusion} can be computed. In one example, ECG_{Fusion} is computed as an arithmetic mean of $ECG_{Digital}$ and ECG_{Analog} as per equation (6):

$$ECG_{Fusion} = \frac{ECG_{Digital} + ECG_{Analog}}{2} \quad (6)$$

FIG. 11 illustrates an example circuit diagram of a biopotential amplifier with a ground/RLD strip electrode implemented using Analog Devices AD8232 chip. The biopotential amplifiers described in FIG. 9, can be easily implemented using commercially available ECG analog front ends like the AD8232 chip **1102**. The disclosed circuit diagram shows the values of various electronic components and the primary smart band strip electrodes **216**, **222**, **218**, **224**, **220**, **226** connected to the AD8232 chip **1102**.

FIG. 12 illustrates a flowchart depicting one example method of continuous high-fidelity ECG monitoring and HR/HRV analysis via fusion of two complementary techniques, namely, DSP and analog signal conditioning. At step **1202** both primary **102** and secondary **106** smart bands are switched on using buttons **210** and **310**. At step **1204** the microcontroller **916** inside the primary smart band checks

11

whether biopotential data V_R that is wirelessly received from the secondary smart band 106, the biopotential data V_L that is received from amplifier 904 via A/D converter 922, and biopotential data V_{Diff} that is received from the differential amplifier 924 via A/D converter 928 is valid. If all data in step 1204 is found to be valid, the primary smart band 102 waits for this data to be ready for processing at step 1206. Once all biopotential data is ready, the primary smart band microcontroller 916 performs various computations like digital filtering, differencing, convolution, fusion, and other mathematical operations on this data at step 1208 to produce high-fidelity ECG data. At step 1210, the primary smart band microcontroller 916 detects ECG R-peaks and then at step 1212 it computes metrics like HR and HRV. In this example, at step 1214, the primary smart band microcontroller 916 checks the calculated HR/HRV metrics against predefined acceptable values. Based on whether the calculated HR/HRV parameters are in range or out of range, alarm flags are accordingly set at steps 1216 and 1218. At step 1220, the primary smart band touchscreen 204 displays ECG data and related analytics along with the alarm status in real-time. Moreover, at step 1220, the primary smart band wirelessly transmits all ECG data and related analytics to third-party devices 110.

FIG. 13 illustrates examples of various locations on the human body where wearables employing the underlying design and principle of the current invention can be attached to undertake continuous leadless ECG monitoring. As illustrated at 1302, the primary smart band 102 can be worn around the left wrist while a secondary smart band 1304 can be worn around the right upper arm. As illustrated at 1308, a primary smart band 1306 can be worn around the left upper arm while the secondary smart band 1304 can be worn around the right upper arm. Finally, as illustrated at 1310, the primary smart band 102 can be worn around the right wrist while a secondary smart band 1312 can be worn around the left ankle. These examples demonstrate that the disclosed wireless smart band pair and/or other similar wearable pair can be attached at various locations along the four limbs to accomplish leadless Einthoven-type single-lead ECG measurements.

It will be appreciated by one skilled in the art that variants can exist in the above-described arrangements and applications.

For example, in one embodiment, the described smart band pair can also be used for intermittent ECG monitoring and analysis. For example, the user can operate the on/off switches 210, 310 on the primary and secondary smart bands 102, 106 to enable and disable ECG data acquisition and analysis as required. In another example, the microcontrollers 910, 916, inside the primary and secondary smart bands 102, 106 can be programmed to acquire and analyze ECG data at predefined intervals, for example, acquire and analyze ECG data for 5 minutes every 30 minutes.

In another embodiment, the described smart band pair can be used solely for biopotential data acquisition and transmission while all data processing/analysis can be done on external devices. For example, the primary smart band 102 can acquire and wirelessly transmit the first biopotential data to a smartphone and the secondary smart band 106 can acquire and wirelessly transmit the second biopotential data to the same smartphone. This smartphone can then process and combine the received first and second biopotential data to produce a high-fidelity ECG signal. The smartphone can also perform further analyses on the ECG signal like R-peak

12

detection, HR/HRV evaluation, and alarm generation. The smartphone can be replaced by a laptop, tablet, and/or any similar computing device.

The specific examples provided herein relate to a continuous leadless electrocardiogram monitor, however, the materials, methods of application and arrangements of the invention can be varied. The scope of the claims should not be limited by the preferred embodiments set forth in the examples but should be given the broadest interpretation consistent with the description as a whole.

What is claimed is:

1. An electrocardiogram monitor comprising:

a primary smart band having at least three electrodes configured to be either RLD-left-right or ground-left-right electrodes that are configured to contact skin of a user and measure a first high-fidelity biopotential signal; and

a secondary smart band having at least three electrodes configured to be either RLD-left-right or ground-left-right electrodes that are configured to contact the skin of the user and measure a second high-fidelity biopotential signal;

wherein the secondary smart band comprises a second microcontroller that digitizes the second high-fidelity biopotential signal to produce a second digitized signal and transmits the second digitized signal wirelessly to the primary smart band;

wherein the primary smart band comprises a first microcontroller that wirelessly receives the second digitized signal from the secondary smart band, and also digitizes the first high-fidelity biopotential signal to produce a first digitized signal;

wherein the first microcontroller employs DSP techniques on the first and second digitized signals to produce a first high-fidelity ECG waveform signal;

wherein the primary smart band further comprises a D/A module to convert the second digitized signal to an analog signal; and a differential amplifier which receives as inputs the analog signal from the D/A module and the first high-fidelity biopotential signal and outputs a second high-fidelity ECG waveform signal via analog signal conditioning and amplification; and

wherein the first microcontroller digitizes the second high-fidelity ECG waveform signal and employs data fusion techniques to combine the first and second high-fidelity ECG waveform signals to produce a higher quality and fidelity ECG waveform signal.

2. The electrocardiogram monitor of claim 1 further comprising multiple digital switches such that there is at least one digital switch for each of the electrodes, wherein the digital switches are selectable via the first and second microcontrollers to choose the electrodes used during data acquisition for reducing SNR to further improve ECG waveform signal quality and for testing or calibration.

3. The electrocardiogram monitor of claim 2 wherein at least one of the three electrodes of the primary and secondary smart bands include a reference electrode and the digital switches for the reference electrodes are changeover switches that allow these reference electrodes to be used either as RLD or ground electrodes during data acquisition to further improve ECG waveform signal quality and fidelity.

13

4. The electrocardiogram monitor of claim 1 wherein the primary and secondary smart bands each further comprise: an enclosure having a backplate; and straps connected to the enclosure,

wherein the at least three electrodes of the primary and secondary smart bands further comprise:

at least three rigid strip electrodes provided on each of the backplates of the primary and secondary smart bands; and

at least three flexible strip electrodes provided on each of the straps;

wherein the at least three rigid strip electrodes are electrically connected to respective electrodes of the at least three flexible strip electrodes to maximize electrode contact area and eliminate dependency on electrode position around a limb of the user to enhance ECG waveform signal quality.

5. The electrocardiogram monitor of claim 1 wherein the primary smart band and secondary smart band comprise separate power sources.

6. The electrocardiogram monitor of claim 1 further comprising data storage in the primary smart band for storing the ECG signal and related information.

7. The electrocardiogram monitor of claim 1 further comprising a radio transceiver and antenna in the primary smart band or the secondary smart band for transmitting the ECG signal and related information to a separate computing device.

14

8. The electrocardiogram monitor of claim 7 wherein the computing device is selected from one consisting of a mobile device, smartphone, tablet, laptop, and computer.

9. The electrocardiogram monitor of claim 1 further comprising a display in the primary smart band configured to display information to the user.

10. The electrocardiogram monitor of claim 9 wherein the display is a touchscreen display that is configured to receive inputs from the user.

11. The electrocardiogram monitor of claim 9 wherein the displayed information is selected from one or more of the group consisting of time, date, battery strength, wireless connectivity strength, Bluetooth status, HR, HRV, ECG waveform and alarm status.

12. The electrocardiogram monitor of claim 9 further comprising an alarm in the primary smart band, wherein the first microcontroller computes HR and HRV data and triggers and displays the alarm if the HR and/or HRV data are beyond pre-determined thresholds.

13. The electrocardiogram monitor of claim 1 wherein the smart bands are smartwatches.

14. The electrocardiogram monitor of claim 1 further comprising a twin wireless charger for charging the primary smart band and secondary smart band.

15. The electrocardiogram monitor of claim 1 wherein the primary and secondary smart bands are configured to be attached at various locations along limbs of the user.

* * * * *